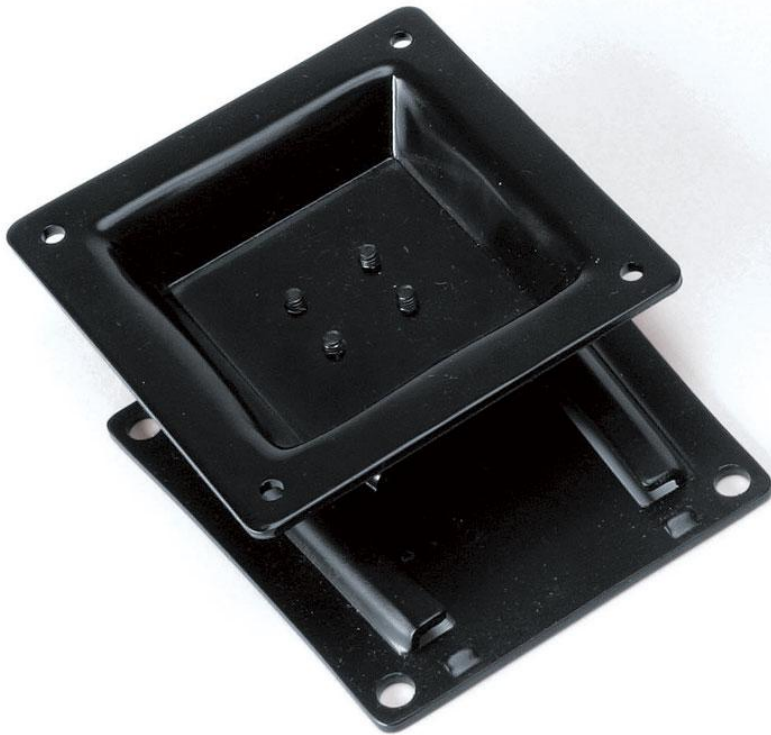


BASIC FLUSH FIT WALL MOUNT



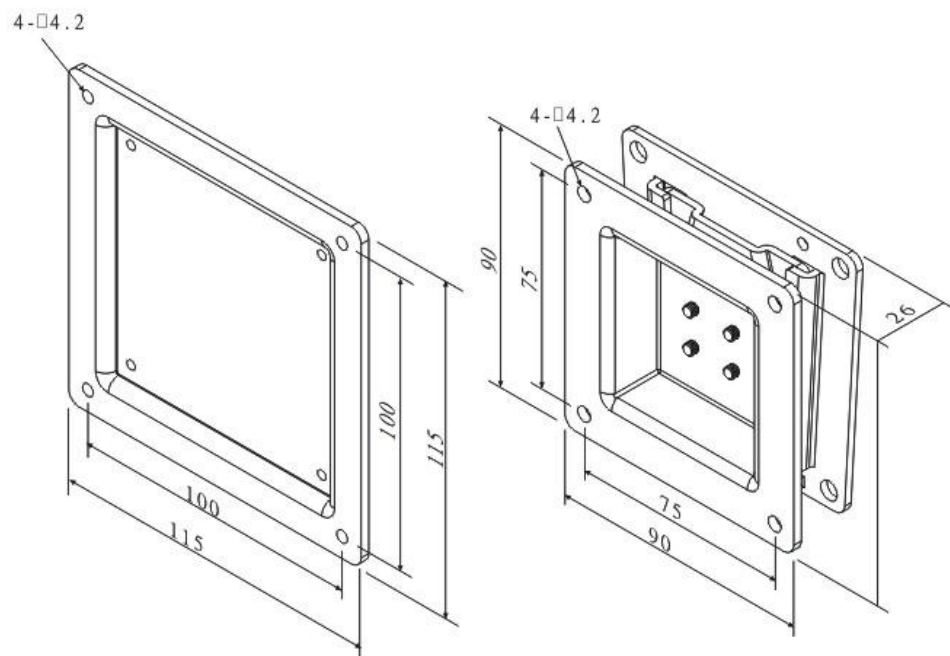
Suggested Screen Size :
15" to 28"

Weight Capacity :
20kg

Meets VESA Standards :
75mm x 75mm
& 100mm x 100mm

Warranty :
2 years

- Manufactured in high quality Aluminium Alloy
- Flush Fit
- 'Slide In' installation makes maintenance easy
- Ideal economic wall mount
- Black
- Sits approx 2.65cm from wall



Product Code / Description

COMLA10AA
Basic Flush Fit Wall Mount

Unite Technologies Ltd
Tournament Way Ashby de la Zouch
Leicestershire LE65 2UU
Telephone - 0845 271 0130
Email - sales@unitetechnologies.com
VAT Reg No GB 916319033