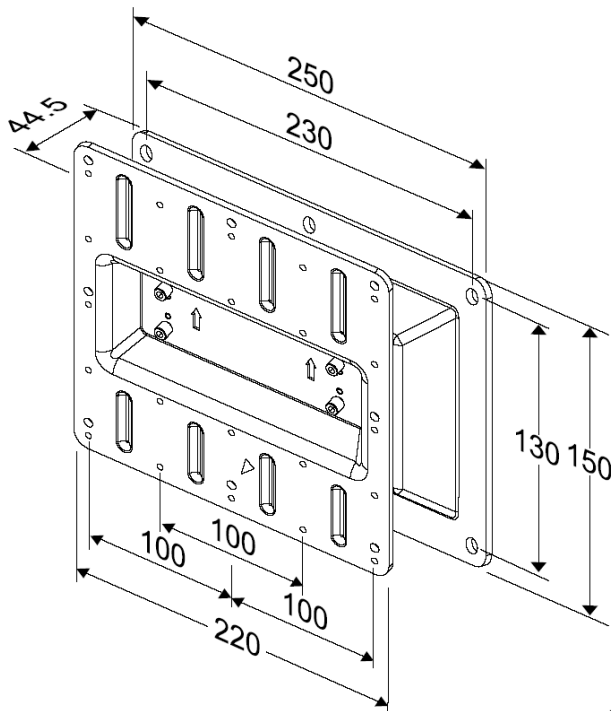


BASIC FLUSH FIT WALL MOUNT



Suggested Screen Size :
21" to 32"

Weight Capacity :
Up to 35kg

Meets VESA Standards :
100mm x 100mm and
200mm x 200mm

Warranty :
2 years

- Manufactured in high quality Aluminium Alloy
- Flush Fit
- 'Slide In' installation makes maintenance easy
- Ideal for larger screens where no movement is required
- Sits 44.5mm from wall
- An economic solution for larger screens

Product Code / Description

COMLA10H
Flush Fit Wall Mount

Unite Technologies Ltd
Tournament Way Ashby de la Zouch
Leicestershire LE65 2UU
Telephone - 0845 271 0130
Email - sales@unitetechnologies.com
VAT Reg No GB 916319033