

BASIC TILT WALL MOUNT



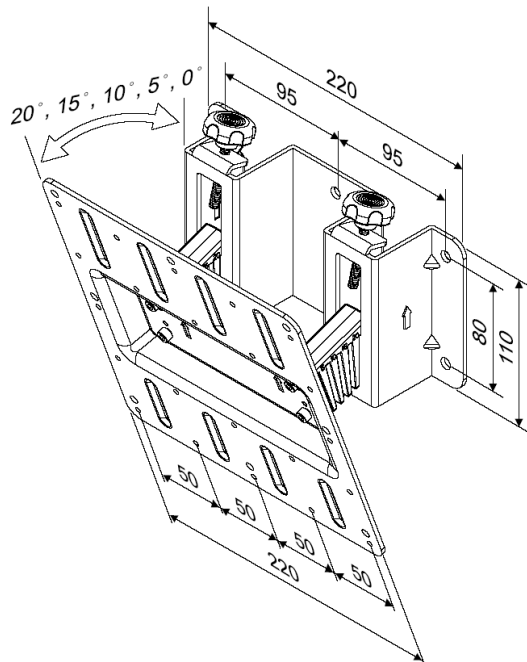
Suggested Screen Size :
21" to 32"

Weight Capacity :
Up to 35kg

Meets VESA Standards :
100mm x 100mm and
200mm x 200mm

Warranty :
2 years

- Manufactured in high quality Aluminium Alloy
- Tilt movement in 5 fixed positions
- 'Slide In' installation makes maintenance easy
- 200mm & 200mm VESA fitting for larger screens
- An economic solution for bigger televisions where tilt movement is required



Product Code / Description

COMLA10J
Tilt Wall Mount

Unite Technologies Ltd
Tournament Way Ashby de la Zouch
Leicestershire LE65 2UU
Telephone - 0845 271 0130
Email - sales@unitetechnologies.com
VAT Reg No GB 916319033