

# ECONOMIC DESK MOUNT

**Suggested Screen Size :**

15" to 21"

**Weight Capacity :**

4kg to 8kg

**Meets VESA Standards :**

75mm x 75mm  
& 100mm x 100mm

**Warranty :**

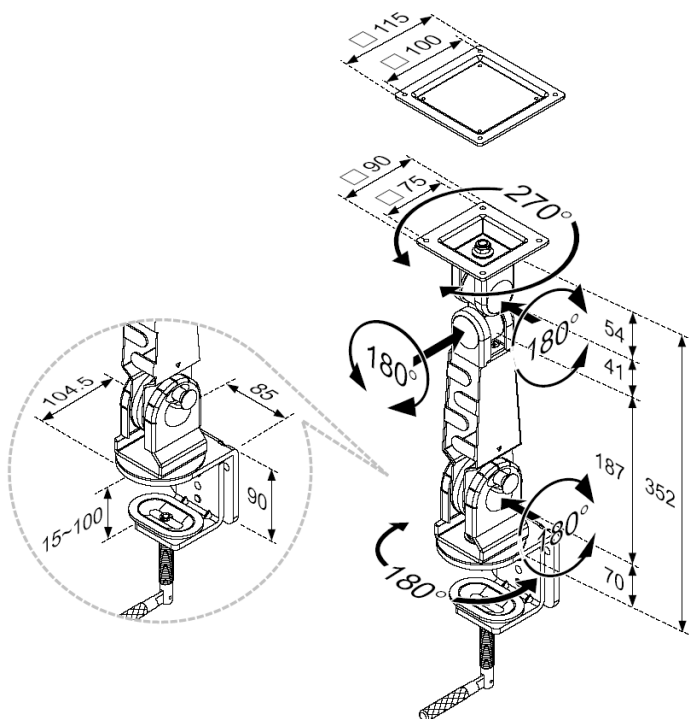
2 years

- Height adjustable
- Offers tilt, up/down and left/right movement
- Supports portrait/landscape software
- Simple installation
- Supplied with desk clamp fitting
- Black
- Cable management for clutter free work space
- Simple lever adjustment – ideal for multi user environment

## Product Code / Description

**COMLA11B**

Economic Manual Desk Mount with  
Desk Clamp Fitting



**Unite Technologies Ltd**

Tournament Way Ashby de la Zouch

Leicestershire LE65 2UU

Telephone : 0845 271 0130

Email : sales@unitetechnologies.com

VAT Reg No GB 916 3190 33