



# Ergonomics

## BASIC WALL MOUNT COLLECTION

*Offers a cost effective solution as individual as you are*

### Ideal applications :

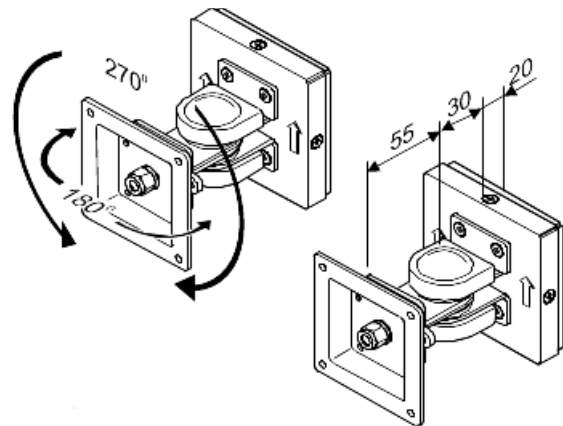
Office	✓	Finance	
Education	✓	POS / Retail	
Medical		Home Use	✓



**Weight Capacity :**  
1kg to 6kgs

- Tilt up/down or left/right movement
- 105mm from wall
- Portrait or landscape capability
- Light grey with black interface
- Quick & simple installation

**VESA Interface Plates supplied :**  
75mm x 75mm and 100mm x 100mm



<b>Product Code</b> COMLA16	<b>Description</b> Basic Single Pivot Wall Mount
<b>Warranty</b>	<b>2 Years</b>



**Comrac Ltd – Ergonomic Accessories Group**  
**Comrac House, Tournament Way, Ashby de la Zouch, Leicestershire, LE65 2UU**  
 Telephone : 01530 560880 Fax : 01530 560590 Email : info@comrac.co.uk www.comrac.co.uk