

DOUBLE PIVOT WALL MOUNT

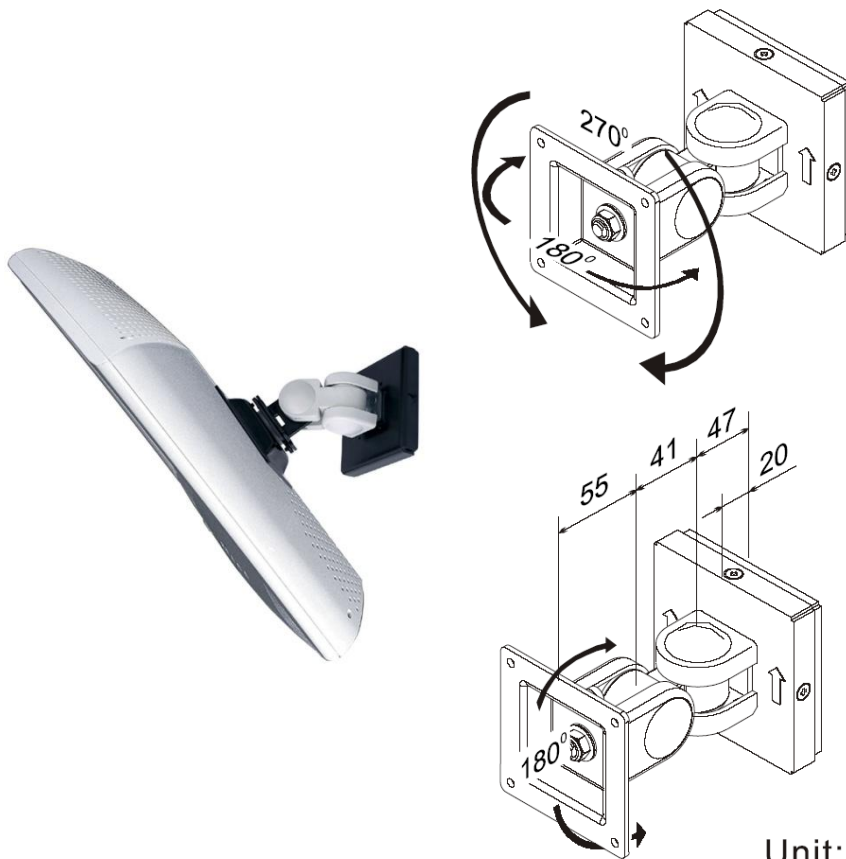


Suggested Screen Size :
15" to 21"

Weight Capacity :
Up to 8kg

Meets VESA Standards :
75mm x 75mm
& 100mm x 100mm

Warranty :
2 years



- Adjustable up/down & left/right tilt movement
- Simple installation makes maintenance easy
- Ideal economic wall mount
- Portrait and landscape capability
- Black & grey
- Sits approx 14cm from the wall at full extension
- Double Pivot Movement

Product Code / Description

COMLA17
Double Pivot Wall Mount

Unite Technologies Ltd
Tournament Way Ashby de la Zouch
Leicestershire LE65 2UU
Telephone - 0845 271 0130
Email - sales@unitetechnologies.com
VAT Reg No GB 916319033