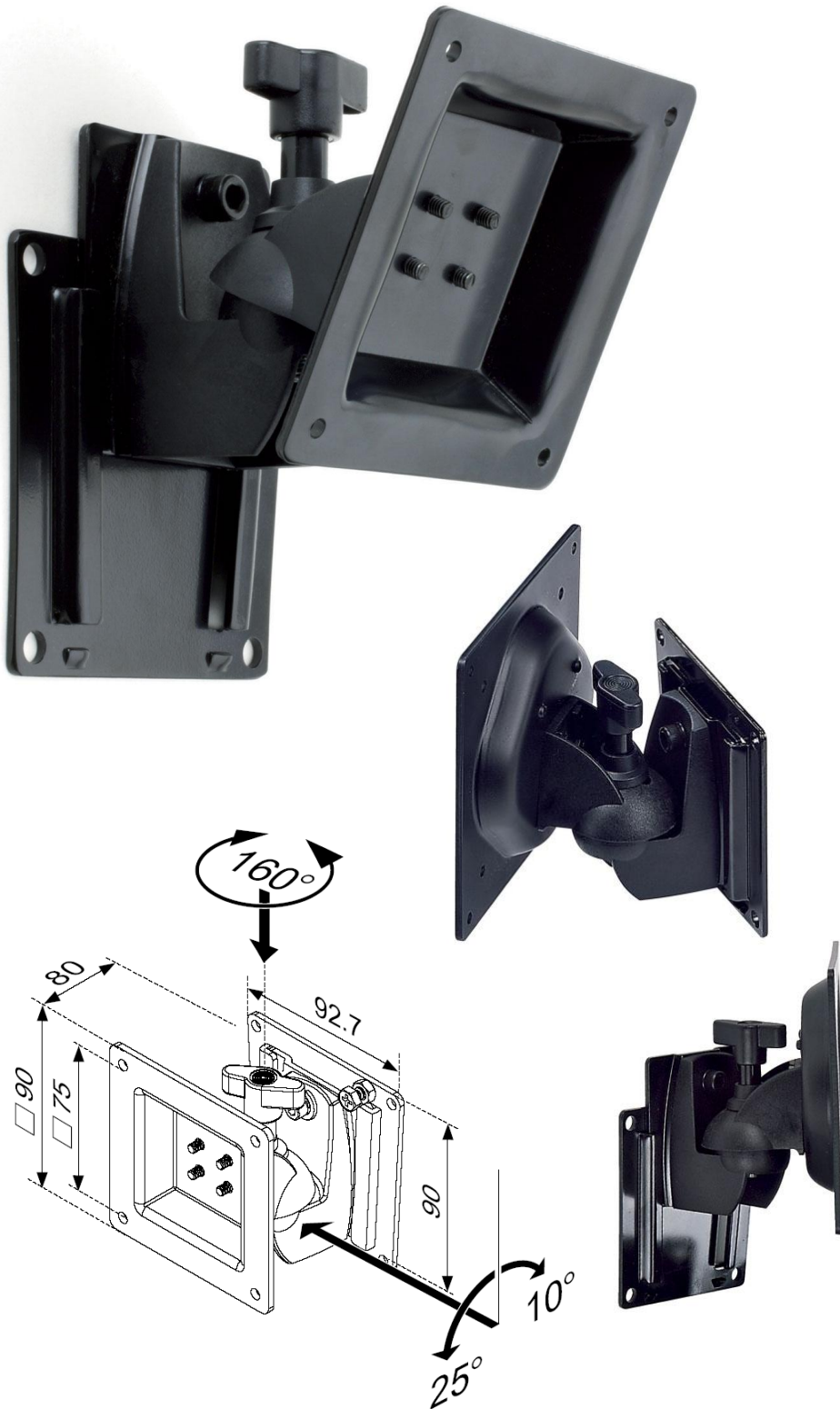


UNIBALL WALL MOUNT



Suggested Screen Size :
15" to 21"

Weight Capacity :
6kg

Meets VESA Standards :
75mm x 75mm
& 100mm x 100mm

Warranty :
2 years

- Adjustable up/down & left/right tilt movement
- 'Slide In' installation makes maintenance easy
- Ideal economic wall mount
- Portrait and landscape capability
- Black
- Sits approx 80mm from the wall
- A cost effective wall mount

Product Code / Description

COMLA19
Uniball Wall Mount

Unite Technologies Ltd
Tournament Way Ashby de la Zouch
Leicestershire LE65 2UU
Telephone - 0845 271 0130
Email - sales@unitetechnologies.com
VAT Reg No GB 916319033