

# SAGITTA DOUBLE TRIPLE DESK MOUNT



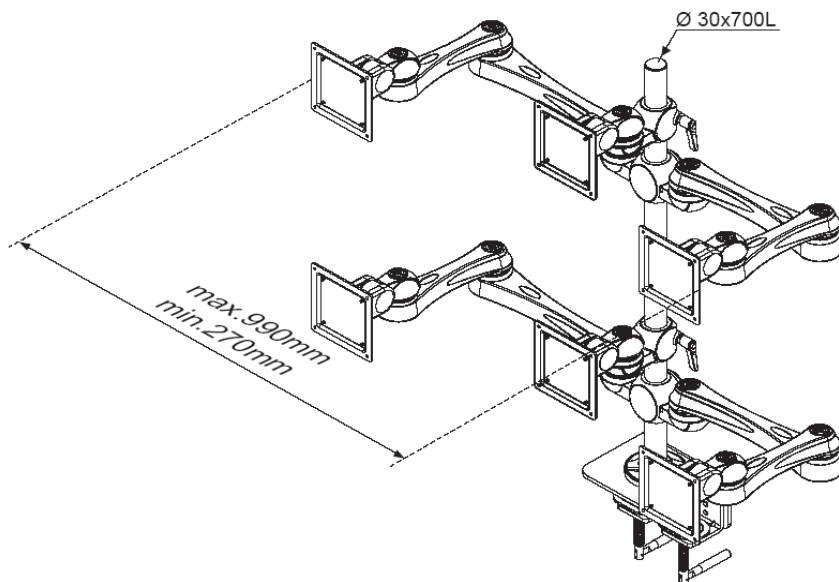
**Suggested Screen Size :**  
15" to 21"

**Weight Capacity :**  
4kg to 6kg

**Meets VESA Standards :**  
75mm x 75mm  
& 100mm x 100mm

**Warranty :**  
2 years

- Supports 6 screens
- Extended height range up to 700mm
- Extended reach range
- Supplied with re-enforced desk clamp fitting
- Silver
- Cable management for clutter free work space
- Simple handle adjustment – ideal for multi user environment
- Manufactured in strong Aluminium Alloy



## Product Code / Description

**COMLA518**

Sagitta Double Triple Manual Desk Mount with Desk Clamp Fitting

**Unite Technologies Ltd**

Tournament Way Ashby de la Zouch

Leicestershire LE65 2UU

Telephone : 0845 271 0130

Email : sales@unitetechnologies.com

VAT Reg No GB 542 8088 34

