

# ARCHER DESK MOUNT



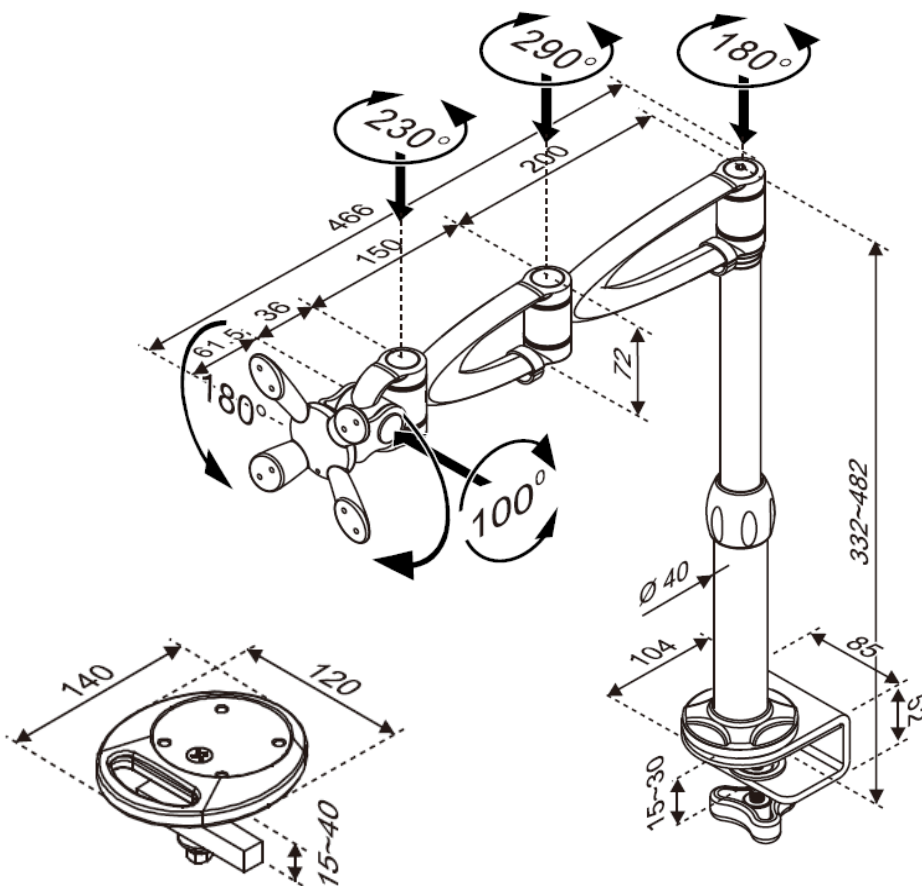
**Suggested Screen Size :**  
15" to 21"

**Weight Capacity :**  
4kg to 8kg

**Meets VESA Standards :**  
75mm x 75mm  
& 100mm x 100mm

**Warranty :**  
2 years

- Extended height range between 332mm to 482mm
- Extended reach range up to 466mm
- Supplied with both desk clamp & 'through desk' grommet fittings
- Silver
- Cable management for clutter free work space
- Gas assisted – ideal for multi user environment
- Manufactured in robust Aluminium Alloy



## Product Code / Description

### COMLA64-1A

Archer Gas Assisted Desk Mount with Desk Clamp & 'Through Desk' Grommet Fittings

## Unite Technologies Ltd

Tournament Way Ashby de la Zouch

Leicestershire LE65 2UU

Telephone : 0845 271 0130

Email : sales@unitetechnologies.com

VAT Reg No GB 542 8088 34

