

ARCHER WALL MOUNT

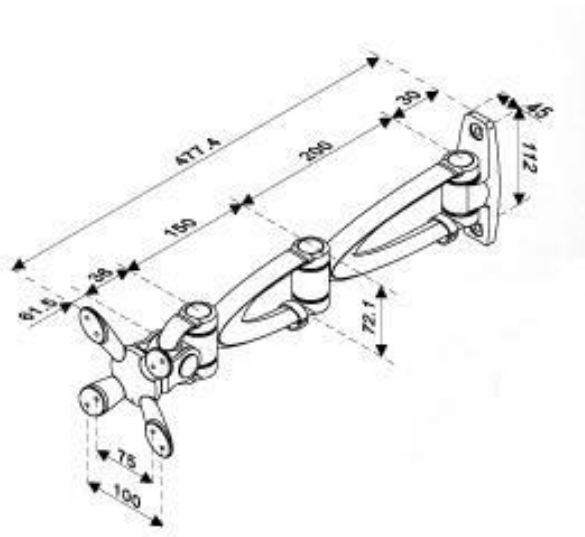


Suggested Screen Size :
15" to 21"

Weight Capacity :
Up to 8kg

Meets VESA Standards :
75mm x 75mm and
100mm x 100mm

Warranty :
2 years



- Extended reach range up to 477mm
- Cable management
- Broad range of flexibility
- Double swing movement
- Aesthetically pleasing to suit modern environments
- Tilt up/down & left/right movement
- Quick & simple installation
- Manufactured in robust Aluminium Alloy

Product Code / Description

COMLA65-1
Archer Wall Mount

Unite Technologies Ltd
Tournament Way Ashby de la Zouch
Leicestershire LE65 2UU
Telephone - 0845 271 0130
Email - sales@unitetechnologies.com
VAT Reg No GB 916 3190 33