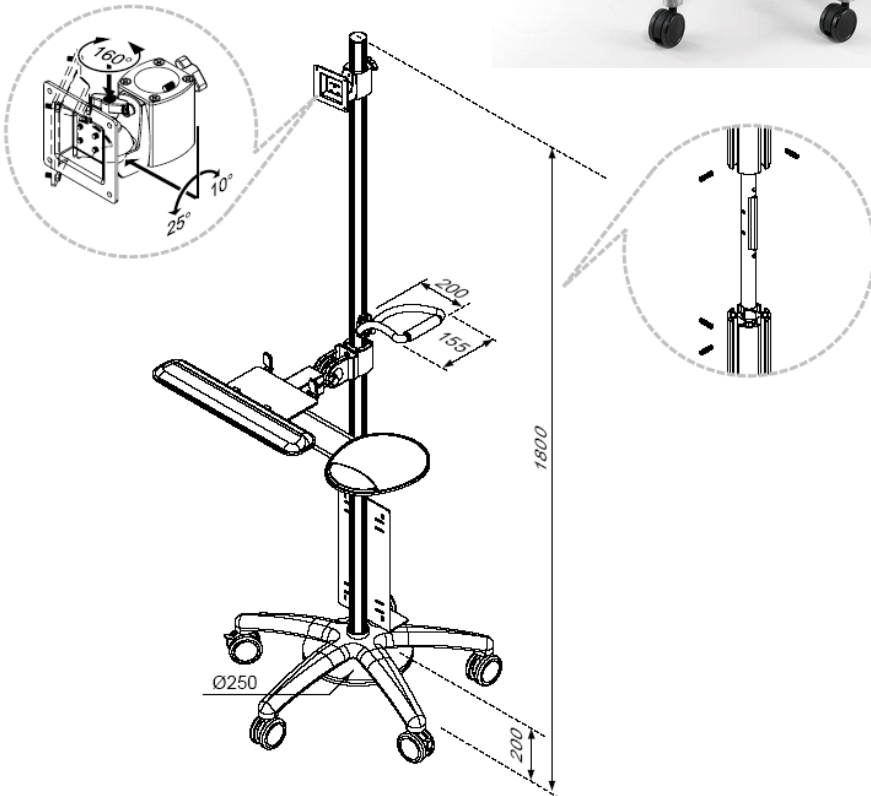


# MOBILE WORK STATION



**Suggested Screen Size :**  
15" to 21"

**Weight Capacity :**  
4kg to 6kg

**Meets VESA Standards :**  
75mm x 75mm  
& 100mm x 100mm

**Warranty :**  
2 years

- Accommodates both seated and standing users
- 5 star base with 3 lockable wheels
- Safety straps adjust to fit different types of CPU sizes
- New 1800mm 2 section pole to reduce packaging and transport costs.
- Keyboard support with wrist rest
- Mouse support allows for left and right-handed users
- Aluminium alloy

## Product Code / Description

### COMPA23

Mobile Work Station / Cart with  
1800mm pole

## Unite Technologies Ltd

Tournament Way Ashby de la Zouch  
Leicestershire LE65 2UU

Telephone : 0845 271 0130

Email : sales@unitetechnologies.com

www.unitetechnologies.com

